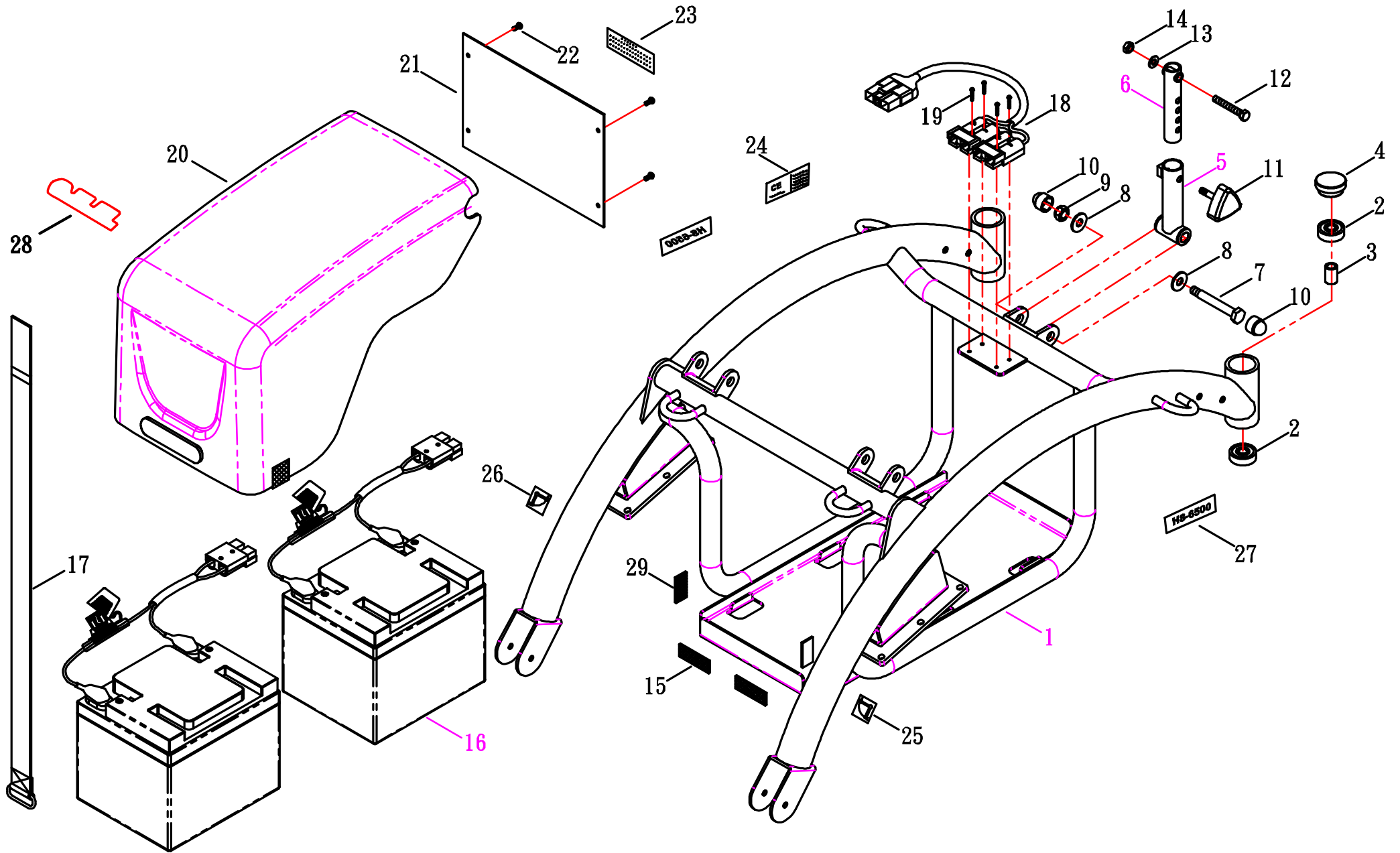
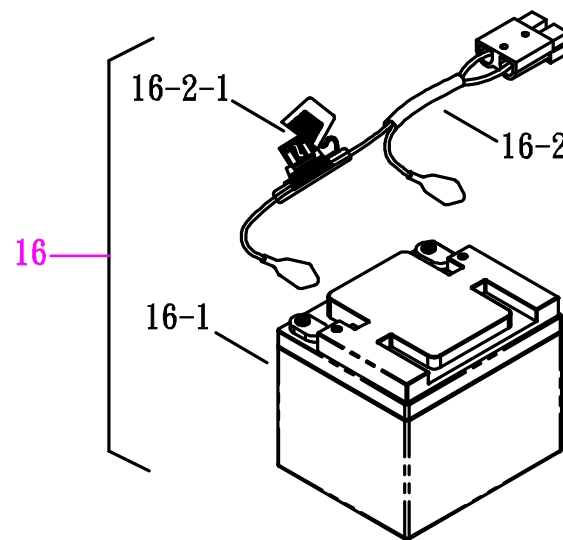
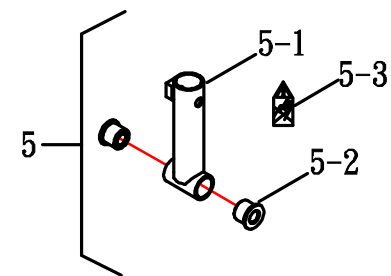
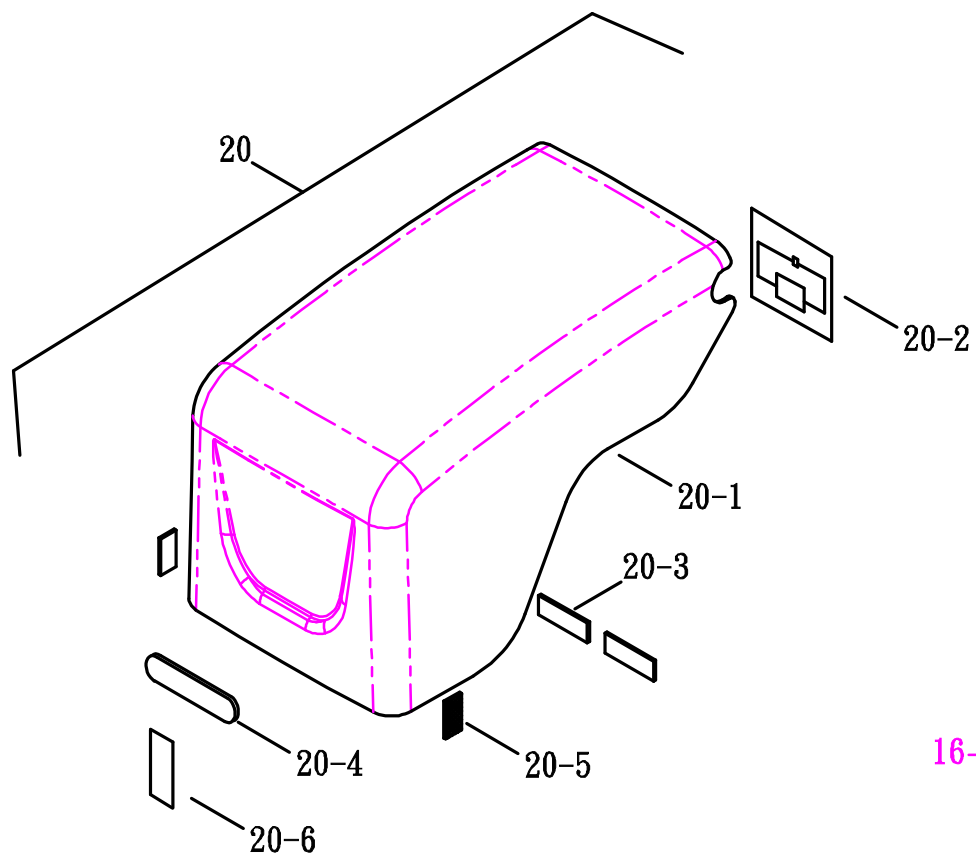


**BRIDGE**

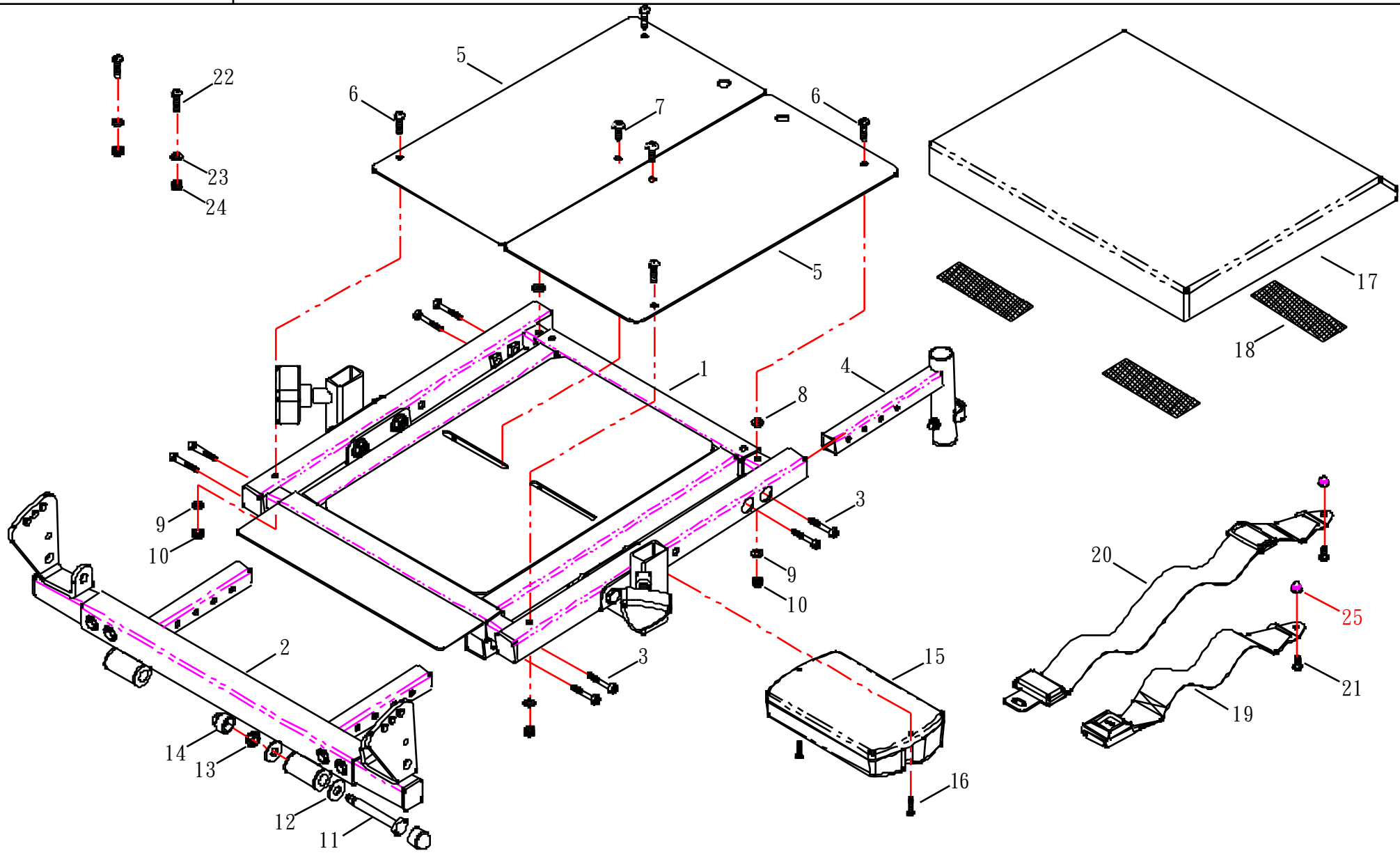
(FIG. 1) FRAME





**BRIDGE**

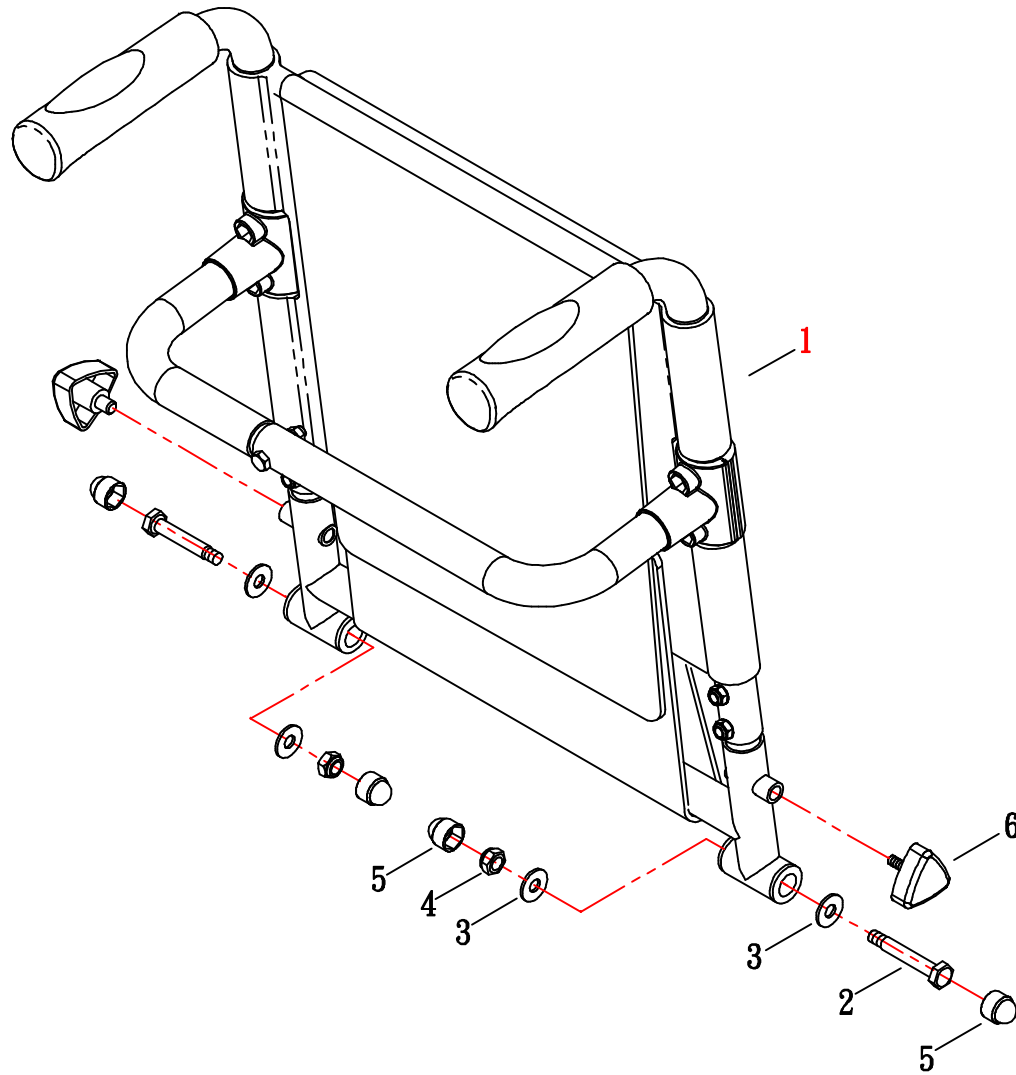
(FIG. 2) SEAT





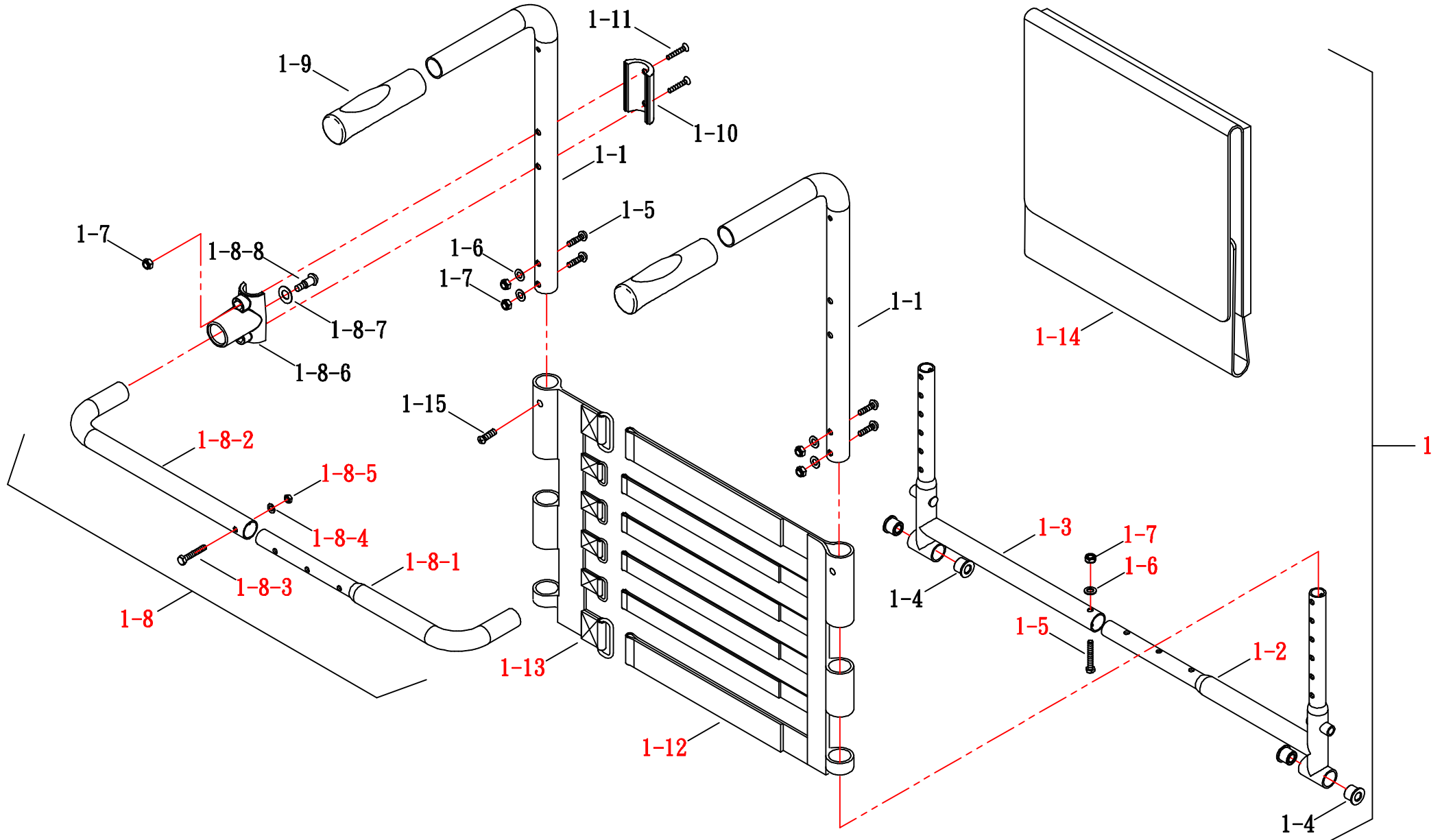
***BRIDGE***

(FIG. 3) BACKREST



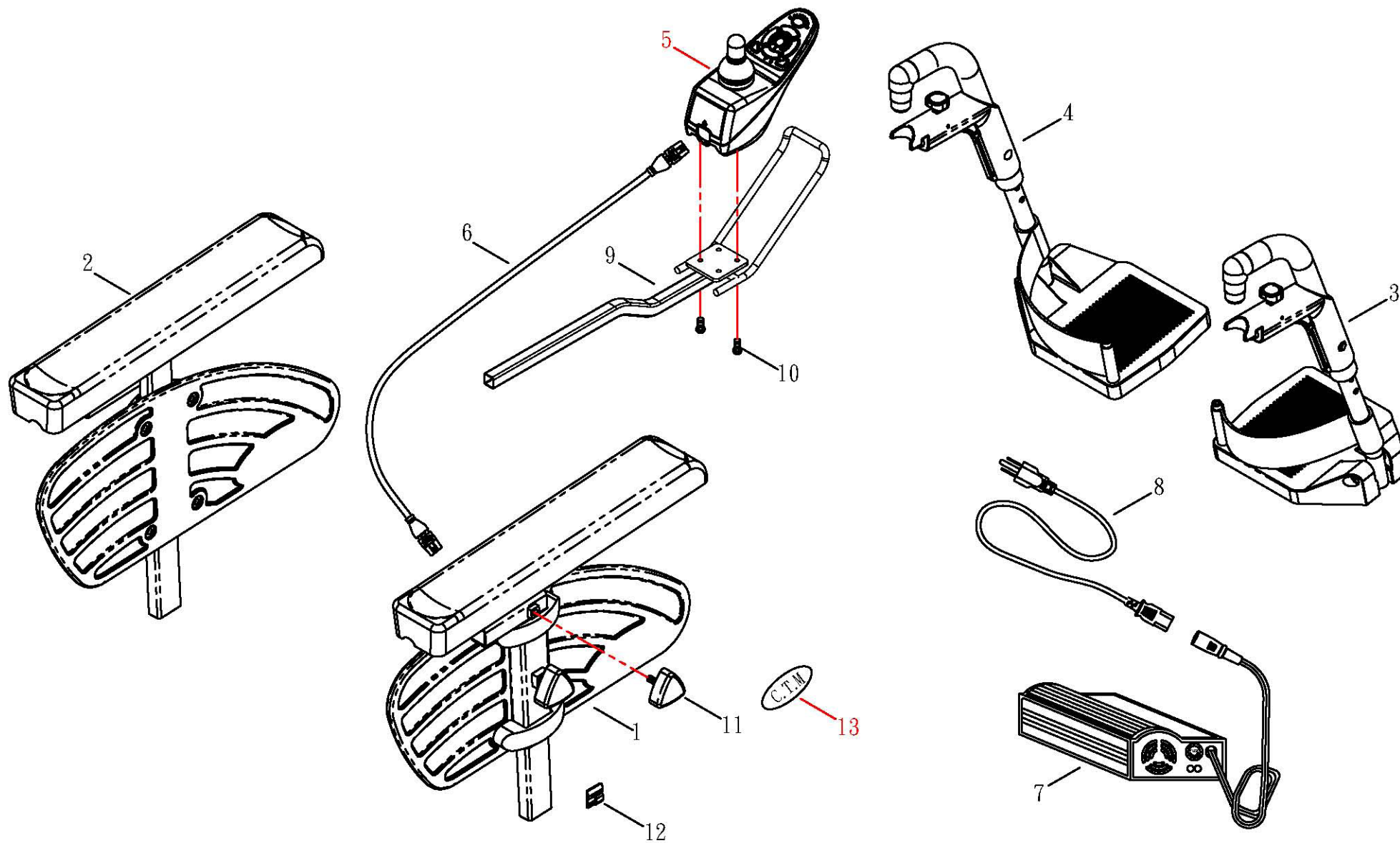
**BRIDGE**

(FIG. 3-1) BACKREST



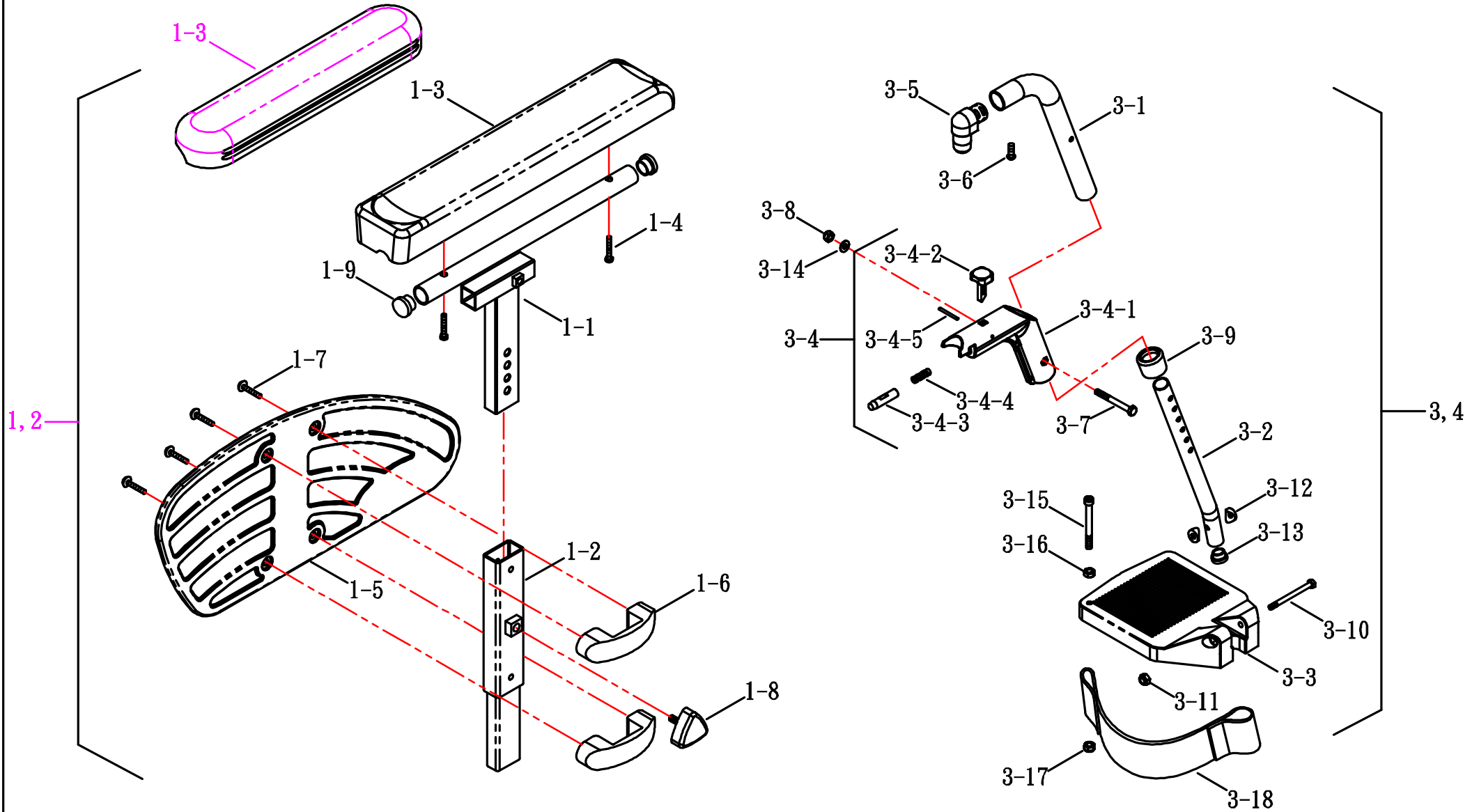
**BRIDGE**

(FIG. 4) HANDRAIL



**BRIDGE**

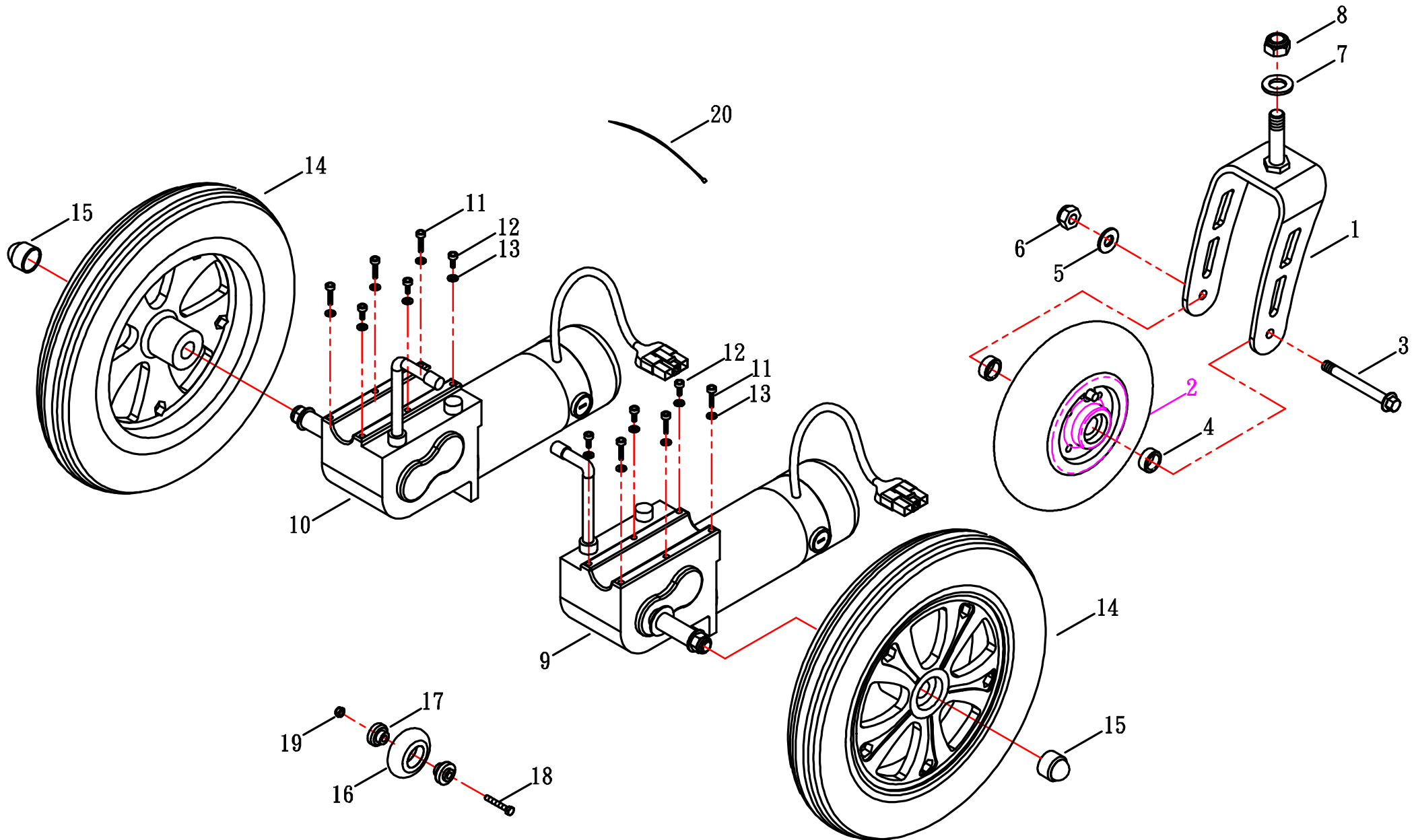
(FIG. 4-1) HANDRAIL





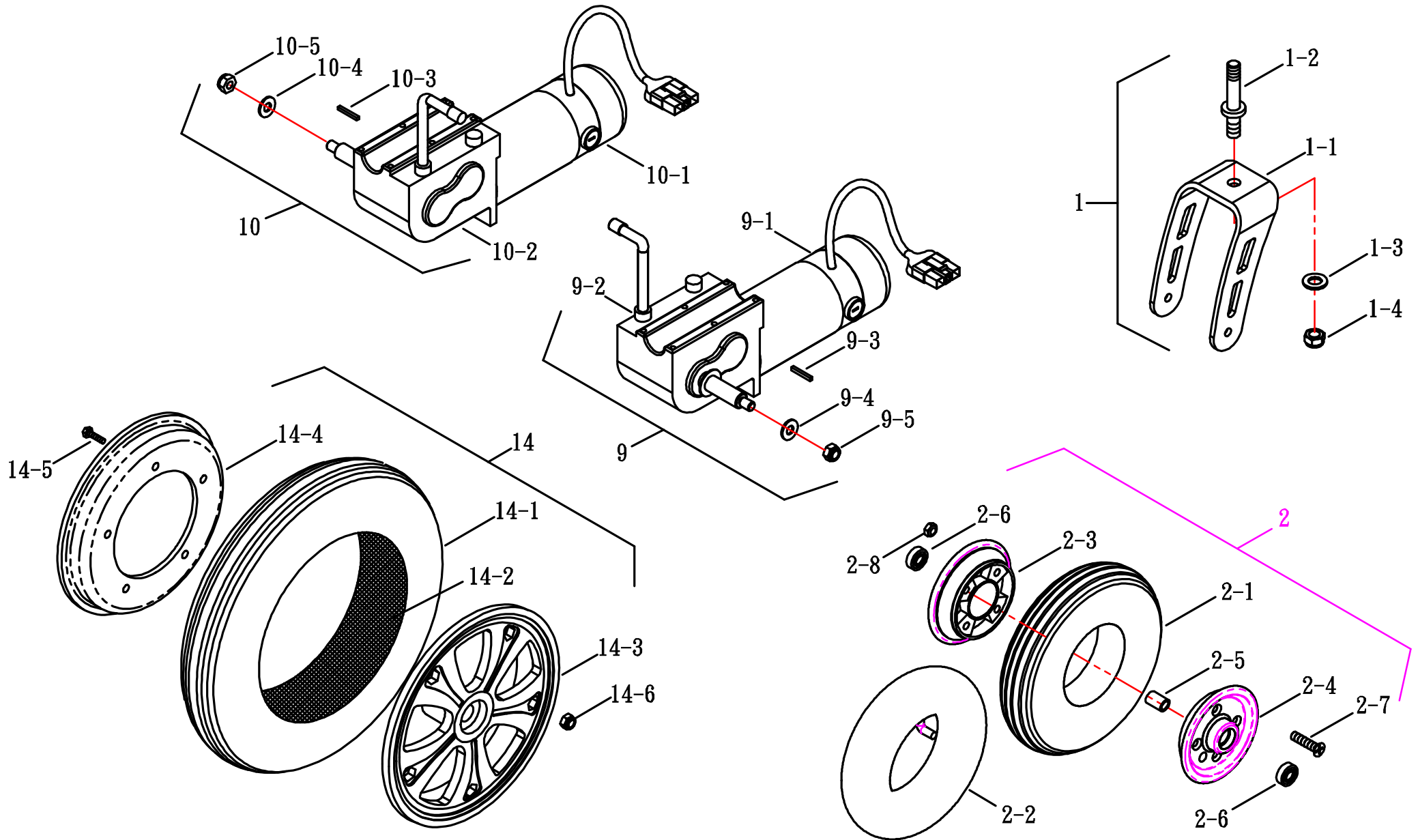
**BRIDGE**

(FIG. 5) WHEEL & MOTOR ASSEMBLY



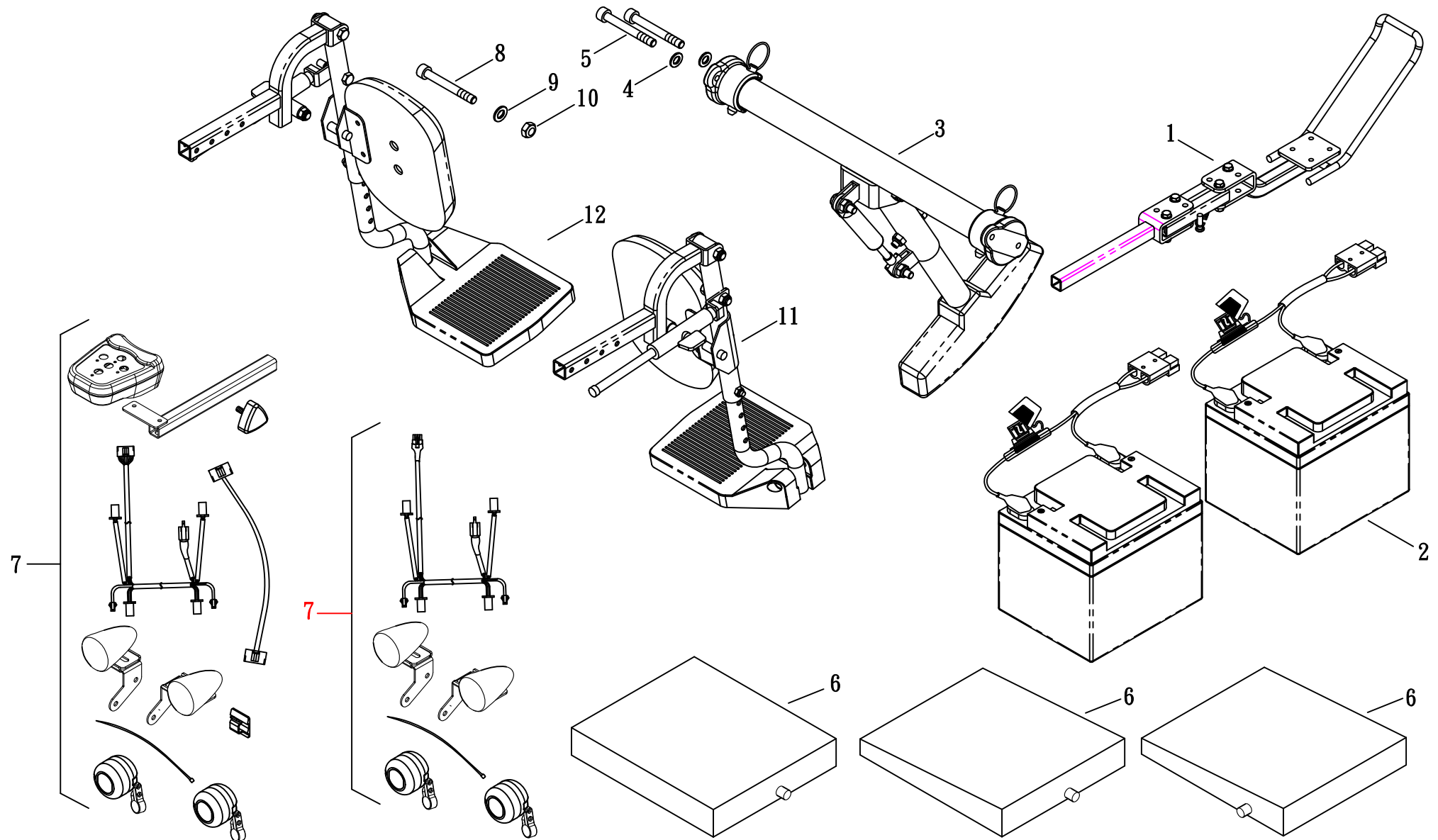
**BRIDGE**

(FIG. 5-1) WHEEL & MOTOR ASSEMBLY



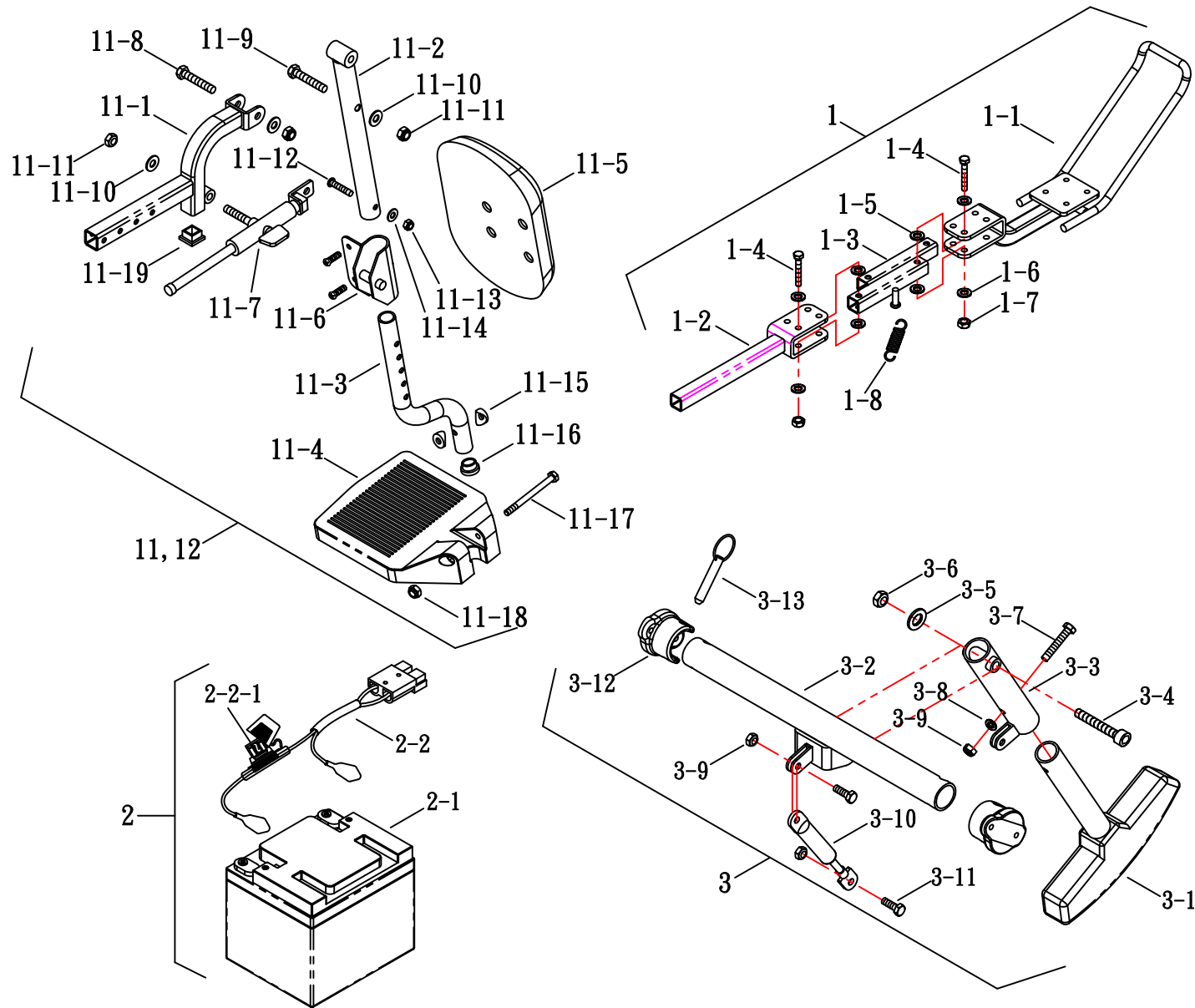
**BRIDGE**

(FIG. 6) ACCESSORY



**BRIDGE**

(FIG. 6-1) ACCESSORY



**BRIDGE**

(FIG. 6-1) ACCESSORY

